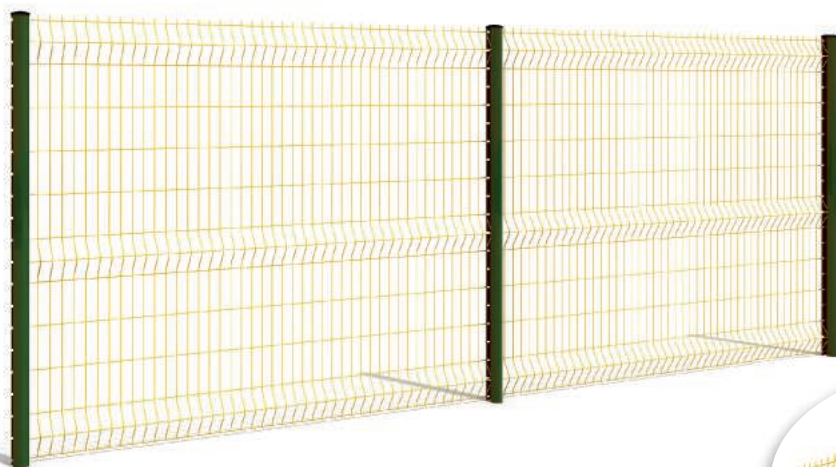


AXIS® C

RIGID PANEL FENCING



AXIS® C is the **classic panel** in the range. It's the ideal product if you're looking for a stylish design and a good level of protection.



Corner installation



Linear profile



Installation with extension arms

INSTALLATION

Quick and easy to install

- EASYFIX installation system.
- Installation in forward sequence, no accessories required: the panels slot into grooves on the posts.
- 2 post types:
 - . AXOR® for fencing off low-risk sites, fence heights up to 2m,
 - . AXIS® for protecting high-risk sites, fence heights up to 3m.
- One single post type for the start and end of the fence and for intermediate panels.
- Suitable for all sites: curved, angled or sloping premises.
- Several configurations possible: suitable for installation on a base plate or wall, with concrete gravel boards, etc.



Scan the QR code to watch the helpful installation video.

OPERATION

Resistance

- Wire diameter of 5mm.
- Pleats for extra strength.
- Tamper-proof once installed.
- Defensive spikes.

Attractive design

- Award-winning design.
- 200 RAL colours available.
- 10 sanded coatings from the Elegance® Collection.



Janus 2001

Quality finish

- Galvanised steel with High Adherence plastic coating.
- 10 year anti-corrosion guarantee.
- Optional PROTECT + coating.

1 2 3 4 **5**
Easy installation

1 2 3 **4** 5
Protection

1 2 **3** 4 5
Rigidity

1 2 **3** 4 5
Design



Administrations & local authorities



Businesses



Industrial & logistics hubs

STANDARDS

Finish

→ Panel:

- Galvanised steel wires comply with standard NF EN 10244-2.
- High Adherence Polyester plastic-coated panels comply with standard EN 13438.

→ Post:

- Galvanised strips comply with standard EN 10346.
- High Adherence Polyester plastic-coated posts comply with standard EN 13438.

Product

- Welded panels comply with standard EN 10223-7.
- Shaped posts comply with standard EN 10162.



COLOURS

→ 7 standard colours:

Blue 5002, Green 6005, Grey 7016, Grey 7035, Brown 8019, Black 9005, White 9010.

→ 10 regular colours:

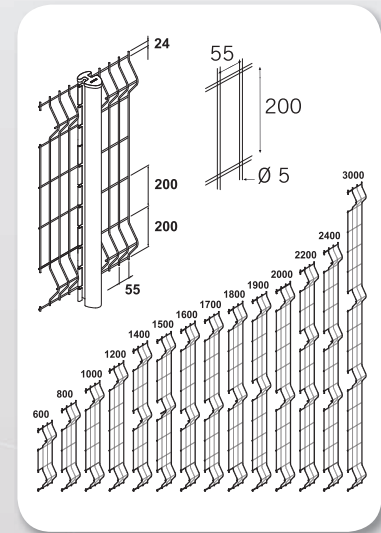
Beige 1015, Yellow 1023, Red 3002, Red 3004, Blue 5010, Blue 5015, Green 6009, Grey 7030, Brown 8014, Grey 9006.

→ Other colours available on request.

→ 10 coatings from the “Elegance Collection”: green, blue, brown, red, grey and black.

TECHNICAL DATA

Ø Wire (mm)	Mesh (mm)	Panel width (m)	Nominal panel height (m)	Corresponding posts and distance between posts (m)
Horizontal and vertical: 5	200x55	2.480	0.60	AXIS® Design (2.536m) or AXOR® (2.510m)
			0.80	
			1.00	
			1.20	
			1.40	
			1.50	
			1.60	
			1.70	
			1.80	
			1.90	
		2.315	2.00	AXIS® Design (2.371m)
			2.20	
			2.40	
			3.00	



For fences measuring 1.5m or less, we recommend pointing the spikes downwards.

Dimensions in mm

PANEL/POST COMBINATIONS

Actual height of AXIS® C panel (in m)	0.60	0.80	1.00	1.20	1.40	1.50	1.60	1.70	1.80	1.90	2.00	2.20	2.40	3.00
Length of AXOR® post (in m)														
• Long embedding	1.10	1.20	1.40	1.60	1.90	2.00	2.00	2.20	2.20	2.50	2.50	/	/	/
• Short embedding	0.90	1.10	1.20	1.40	1.60	1.90	1.90	2.00	2.00	2.20	2.20	/	/	/
• Welded to plate	0.65	0.85	1.05	1.25	1.45	1.65	1.65	/	/	/	/	/	/	/
Length of AXIS® Design post (in m)														
• Long embedding	1.00	1.20	1.40	1.60	1.80	2.00	2.00	2.20	2.20	2.50	2.50	2.70	2.90	3.70/3.90
• Short embedding	0.80	1.00	1.20	1.40	1.60	1.80	1.80	2.00	2.00	2.40	2.40	2.50	2.70	3.50
• Welded to plate	0.65	0.85	1.05	1.25	1.40	1.65	1.65	1.85	1.85	2.05	2.05	2.25	2.45	/

OPTIONS

→ PROTECT +: coating recommended for the most corrosive areas.

→ Installation with posts welded to stainless steel plates (to attach to walls or concrete floors).

With AXOR® post

→ Wall fixing (to attach the panel to a wall or gate).



With AXIS Design® post

→ Start off fence.

→ Installation with concrete gravel boards (0.25m or 0.50m).

→ Standard or front bracket surface mounting.

→ Single or double extension arms for enhanced protection.